



2Megapixel H.264+ 10x Zoom IR IP Network Camera

RH-230Z4-AI



- H.264+, H.264 high profile, main profile, baseline and MJPEG simultaneously
- 25 / 30 fps real time at all resolution
- 10x zoom Lens, remote zoom and remote focus (AF)
- AI on edge: Car detection, Person detection, Face detection
- Motorized remote zoom and focus lens
- Smart IR LED, distance to 50-80m
- Camera Tampering, Motion Detection
- Support various protocols: RTSP, UPnP, HTTPS, Samba, ICMP, QoS, Cos, iSCSI, 802.1x
- Power over Ethernet: IEEE 802.3af Class3
- IP66 Weather Proof
- Cyber Security Protection
- Open Standard Protocol

Camera	
Image Device	Sony 1/2.8" Starvis™ CMOS image sensor
Effective Pixels	1920*1080pixels
Lens	10x Zoom Lens (4.7-47mm)
Lens Adjustment	Auto Focus, Remote Zoom and focus
ICR Type	Mechanical ICR (Support auto / manual / schedule/ DI trigger ICR on & off)
IR LED	Smart IR LED. IR distance maximum 50-80meter

Video	
Video Encoder	H.264+, H.264 (base line, main-profile, and hi-profile) and MJPEG simultaneously
Video Profile	Multi-streaming simultaneously
Frame Rate	Up to 25 / 30fps at all resolutions
Region of Interest	Multi-area ROI
Exposure Control	Auto / Auto Indoor / Manual Exposure

Image Settingl	
	<ul style="list-style-type: none"> • AE, AWB • 3D Noise reduction • Color, brightness, sharpness, contrast, Hue • Image Mirror/Flip, 90° Rotation • Privacy Masks • DIS • Pixel Count • Anti-False Color • Defog

Streaming	
	<ul style="list-style-type: none"> • Simultaneously multi-streaming • Streaming over UDP, TCP, HTTP, or HTTPS • M-JPEG streaming over HTTP (server push) • Controllable frame rate and bandwidth • Constant and variable bit rate • ROI • AOI (Higher Quality in AOI area)

Network	
Supported Protocols	IPv4, IPv6, TCP, UDP, HTTP, HTTPS, SMTP, FTP, NTP, DNS, DDNS, DHCP, DIPS, ARP, Bonjour, UPnP, RTSP, RTP, RTCP, IGMP, PPPoE, Samba, ICMP, QoS, CoS, iSCSI, 802.1x

Security	
	Firmware: 802.1x, HTTPS, IP filter, Password protection Hardware: built in gold capacitor

Users	
	20 simultaneous unicast users

Ethernet	
	10Base-T/100Base-TX/1000Base-T auto negotiation

System Integration	
Application Programming Interface	<ul style="list-style-type: none"> • Open API for software integration • SDK
Alarm Triggers	<ul style="list-style-type: none"> • Person Detection • Car Detection • Face Detection • Audio Detection • SD Card Read/ Write Fail Detection • Camera Tampering • Digital Input (DI) • Network Disconnect

Motion Detection	
	10-zone video motion detection with included Motion Detection or excluded options

Alarm Events	
	<ul style="list-style-type: none"> • File upload via FTP or email • File upload via Samba to NAS • Notification via email, HTTP, and TCP • External output (DO) • File save to local mSD card

General	
---------	--

Power Supply	DC12V
--------------	-------

PoE	IEEE 802.3af class3
-----	---------------------

Connectors	<ul style="list-style-type: none"> • RJ-45 10Base-T/100Base-TX • 12VDC • 1 alarm input and 1 output • Audio In/ out, Video out • External MIC input • BNC Video out • Factory default reset / One push focus • Micro SD slot
------------	--

Indication LED	Green and orange LEDs
----------------	-----------------------

Operating Temperature	-20°C to 60°C
-----------------------	---------------

Operating Humidity	20% ~ 80% (non-condensing)
--------------------	----------------------------

Certification	IP66 weather proof
---------------	--------------------

Viewing System	
----------------	--

OS	Windows® 7, 8, 10
----	-------------------

Browser	IE 9.0 or later, Mozilla Firefox, Chrome, Safari
---------	--

Smart phone	Android™, iPhone™
-------------	-------------------

Video Player	VLC, Quick Time, Real Player, Core Player
--------------	---

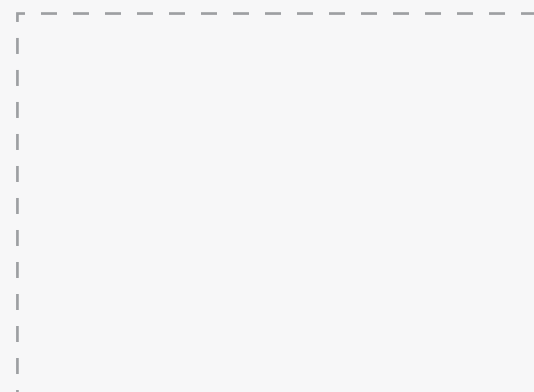
Software	
----------	--

Search & Installation	IP Wizard II
-----------------------	--------------

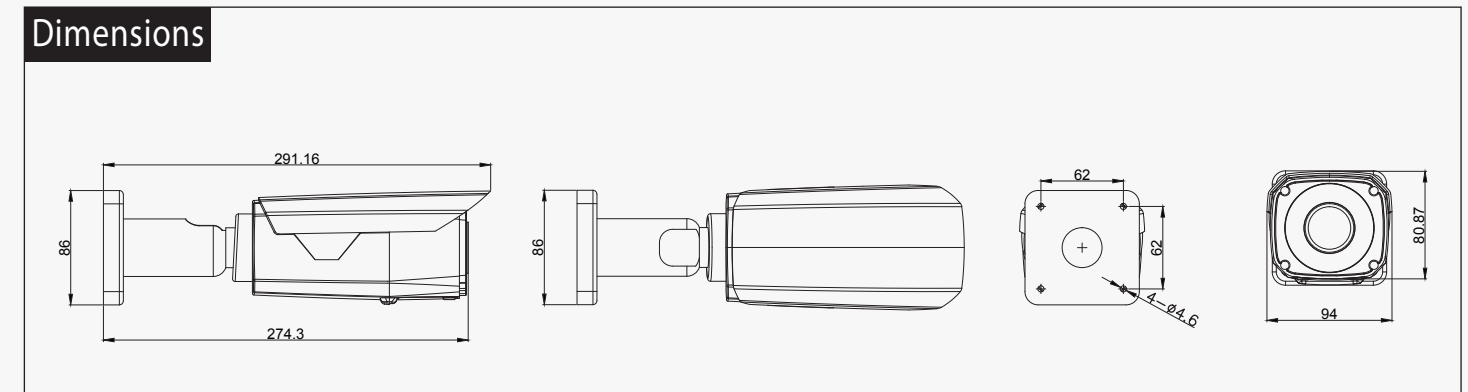
Easy DDNS	DDNS™
-----------	-------

Software
Afidus Cloud Service™, Afidus DDNS Service™, Afidus Smart Phone Apps

Distributed by :



※ The product design and dimensions may change without previous notice for improvement of performance.



Company Name : Afidus Ltd.

Company Address : 7F-4, No. 186, Jian 1st Rd., Zhonghe Dist., New Taipei City 235, Taiwan (R.O.C)

Company Website : www.afidus.com

TEL : +886-2-8226-9857 FAX : +886-2-8226-9800