



3 Megapixel H.264+ Smart Focus Bullet IR Network Camera

RH-331Z2-G Premium



- H.264+, H.264 high profile, main profile, baseline and MJPEG simultaneously
- 25 / 30 fps real time at all resolution
- Motorized Vari-focal Lens, remote zoom and focus
- Enhanced WDR, DIS (Digital Image Stabilization), Smart IR
- Built-in camera tampering, motion detection
- Support various protocols: RTSP, UPnP, HTTPS, Samba, SNMP, QoS
- Event trigger action: Send to NAS/Samba/FTP/Email, voice alert, notify to HTTP/TCP servers
- Power over Ethernet: IEEE 802.3af Class3
- IP66 Weather Proof
- Cable Management design for easy installation
- Open Standard Protocol

Camera

Image Device	Sony Exmor™ 1/2.8"CMOS sensor
Effective Pixels	2048x1536
Lens	Motorized with P-iris Lens (2.8-12mm)
Lens Adjustment	Auto Focus, Remote Zoom and focus
ICR Type	TDN (Mechanical ICR), Support auto / manual / schedule IR LED on/off
IR LED	22 pcs high light LED, Smart IR

Video

Video Encoder	H.264+, H.264(base line, main-profile, and hi-profile) and MJPEG simultaneously
Video Profile	Multi-streaming simultaneously
Frame Rate	Up to 25 / 30fps at all resolutions
Region of Interest	Multi-area ROI
Exposure Control	Auto / Auto Indoor / Manual Exposure BLC On/Off Enhanced WDR

Image Setting

Image Setting	<ul style="list-style-type: none"> ● AE, AWB ● 3D Noise reduction ● Color, brightness, sharpness, contrast, Hue ● Image Mirror/Flip ● Privacy Masks ● DIS ● Pixel Count ● Anti-False Color ● Defog
----------------------	-------------------------------------------------------------------------------------------------------------------------------------------------------------------------------------------------------------------------------------------------------------------------------------------

On Screen Display

On Screen Display	Text, time and date overlay Editable OSD
--------------------------	---------------------------------------------

Streaming

Streaming	<ul style="list-style-type: none"> ● Simultaneously multi-streaming ● Streaming over UDP, TCP, HTTP, or HTTPS ● M-JPEG streaming over HTTP (server push) ● Controllable frame rate and bandwidth ● Constant and variable bit rate ● ROI ● AOI (Higher Quality in AOI area)
------------------	-------------------------------------------------------------------------------------------------------------------------------------------------------------------------------------------------------------------------------------------------------------------------------------------------------------------------------------------------

Audio

Audio Encoder	RTSP: G.711 64kbps, G.726 32kbps, AAC (option, by request)
Audio Streaming	One-way or two-way
Microphone	External microphone input
Audio Output	Adjustable audio output gain value

Network

Supported Protocols	IPv4, IPv6, TCP, UDP, HTTP, HTTPS, SMTP, FTP, NTP, DNS, DDNS, DHCP, DIPS, ARP, Bonjour, UPnP, RTSP, RTP, RTCP, IGMP, PPPoE, 3GPP, Samba, ICMP, SNMP, QoS, CoS, 802.1x, iSCSI
----------------------------	------------------------------------------------------------------------------------------------------------------------------------------------------------------------------

Security

Security	Password protection, IP address filtering, HTTPS encrypted data transmission, user access log
-----------------	-----------------------------------------------------------------------------------------------

Users	20 simultaneous unicast users
Ethernet	10Base-T/100Base-TX auto negotiation

System Integration

Application Programming Interface	<ul style="list-style-type: none"> ● Open API for software integration ● SDK
------------------------------------------	------------------------------------------------------------------------------------------------------

Alarm Triggers

Alarm Triggers	<ul style="list-style-type: none"> ● Video motion detection ● Camera Tampering ● Audio Detection ● Digital input ● Network Disconnect
-----------------------	------------------------------------------------------------------------------------------------------------------------------------------------------------------------------------------

Motion Detection

Motion Detection	10-zone video motion detection with included or excluded options
-------------------------	------------------------------------------------------------------

Alarm Events

Alarm Events	<ul style="list-style-type: none"> ● File upload via FTP or email ● File upload via Samba to NAS ● Notification via email, HTTP, and TCP ● External output activation ● Audio alerting output ● Push notification to smart phone APP(Afidus) ● ICR On/Off
---------------------	--------------------------------------------------------------------------------------------------------------------------------------------------------------------------------------------------------------------------------------------------------------------------------------------------------------------------------

General

Power Supply	DC 12V
PoE	IEEE 802.3af class 3

Power Consumption	10W with IR LED on (12VDC)
--------------------------	----------------------------

Connectors	<ul style="list-style-type: none"> ● RJ-45 10Base-T/100Base-TX ● 12VDC ● 1 alarm input and 1 output ● Audio out ● External MIC input ● Video out ● Factory default reset / One push focus
-------------------	----------------------------------------------------------------------------------------------------------------------------------------------------------------------------------------------------------------------------------------------------------------

Indication LED

Indication LED	Green and orange LEDs
-----------------------	-----------------------

Operating Temperature

Operating Temperature	-20°C to 50°C
------------------------------	---------------

Operating Humidity

Operating Humidity	20% ~ 80% (non-condensing)
---------------------------	----------------------------

Viewing System

OS	Windows® 7, 8
-----------	---------------

Browser	IE 9.0 or later, Mozilla Firefox, Chrome, Safari
----------------	--------------------------------------------------

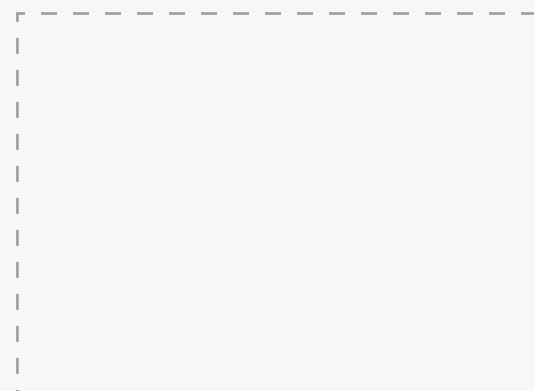
Smart phone	Android™, iPhone™
--------------------	-------------------

Video Player	VLC, Quick Time, Real Player, Core Player
---------------------	-------------------------------------------

Software

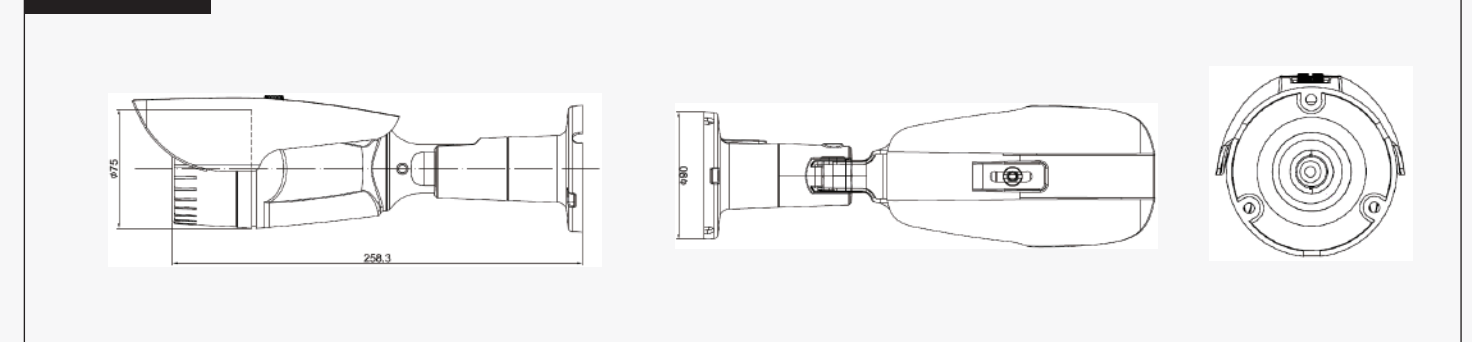
Software	Afidus Cloud Service™, Afidus DDNS Service™, Afidus Smart Phone Apps, Afidus NVR64™
-----------------	-------------------------------------------------------------------------------------

Distributed by :



※ The product design and dimensions may change without previous notice for improvement of performance.

Dimensions



Company Name : Afidus Ltd.

Company Address : 7F-4, No. 186, Jian 1st Rd., Zhonghe Dist., New Taipei City 235, Taiwan (R.O.C)

Company Website : www.afidus.com

TEL : +886-2-8226-9857 FAX : +886-2-8226-9800