



2 Megapixel H.264+ Smart Focus IR Vandal Dome

# VH-231Z2 Premium



- H.264+, H.264 high profile, main profile, baseline and MJPEG simultaneously
- 25 / 30 fps real time at all resolution
- Motorized Vari-focal Lens, remote zoom and focus
- True WDR & Digital WDR, Smart IR
- Camera tampering, motion detection
- Support various protocols: RTSP, UPnP, HTTPS, Samba, SNMP, QoS
- Event trigger action: Send to NAS/Samba/FTP/Email, voice alert, <sup>moter</sup> notify to HTTP/TCP servers, local mSD card
- Power over Ethernet: IEEE 802.3af Class3
- IP66, IK10
- Open Standard Protocol

### Camera

<b>Image Device</b>	Sony 1/2.8" Exmor™ 2 Megapixel image sensor
<b>Effective Pixels</b>	1920 x 1080
<b>Lens</b>	Motorized with P-iris Lens (2.8-12mm)
<b>Lens Adjustment</b>	Auto Focus, remote zoom and focus
<b>IR LED</b>	12 pcs high light LED, Smart IR
<b>Min illuminator</b>	Color: 0.01 lux@F1.2(AGC on) B/W: 0.001 lux@F1.2(AGC on)
<b>Day &amp; Night</b>	TDN (Mechanical ICR), Support auto / manual / schedule IR LED on/off

### Video

<b>Video Encoder</b>	H.264+, H.264 (base line, main-profile, and hi-profile) and MJPEG simultaneously
<b>Video Profile</b>	Multi-streaming simultaneously
<b>Frame Rate</b>	Up to 25 / 30fps at all resolutions
<b>Exposure Control</b>	Auto / Hold Exposure / Manual BLC On/Off True WDR / Digital WDR

<b>Image Setting</b>	<ul style="list-style-type: none"> <li>● AWB</li> <li>● 3D &amp; 2D Noise reduction</li> <li>● Color, brightness, sharpness, contrast, Hue</li> <li>● Image Mirror/Flip, 90° Rotation</li> <li>● Privacy Masks</li> <li>● DIS</li> <li>● Pixel Count</li> <li>● Anti-False Color</li> <li>● Defog</li> </ul>
----------------------	--

<b>On Screen Display</b>	Text, time and date overlay Editable OSD
--------------------------	---

<b>Streaming</b>	<ul style="list-style-type: none"> <li>● Simultaneously multi-streaming</li> <li>● Streaming over UDP, TCP, HTTP, or HTTPS</li> <li>● M-JPEG streaming over HTTP (server push)</li> <li>● Controllable frame rate and bandwidth</li> <li>● Constant and variable bit rate</li> <li>● ROI</li> <li>● AOI (Higher Quality in AOI area)</li> </ul>
------------------	---

### Audio

<b>Audio Encoder</b>	RTSP: G.711 64kbps, G.726 32kbps, AAC (option, by request)
<b>Audio Streaming</b>	One-way or two-way
<b>Microphone</b>	External microphone input
<b>Audio Output</b>	Adjustable audio output gain value

### Network

<b>Supported Protocols</b>	IPv4, IPv6, TCP, UDP, HTTP, HTTPS, SMTP, FTP, NTP, DNS, DDNS, DHCP, DIPS, ARP, Bonjour, UPnP, RTSP, RTP, RTCP, IGMP, PPPoE, 3GPP, Samba, ICMP, SNMP, QoS, CoS, 802.1x, iSCSI
----------------------------	--

<b>Security</b>	Password protection, IP address filtering, HTTPS encrypted data transmission, user access log
-----------------	---

<b>Users</b>	20 simultaneous unicast users
--------------	-------------------------------

<b>Ethernet</b>	10Base-T/100Base-TX auto negotiation
-----------------	--------------------------------------

### System Integration

<b>Application Programming Interface</b>	<ul style="list-style-type: none"> <li>● Open API for software integration</li> <li>● SDK</li> </ul>
--	--

<b>Event Detection</b>	<ul style="list-style-type: none"> <li>● Video motion detection</li> <li>● Camera Tampering</li> <li>● Audio Detection</li> <li>● Digital input</li> <li>● Network Disconnect</li> </ul>
------------------------	--

<b>Cross Line</b>	User defined two cross line, and user defined entrance direction
-------------------	--

<b>Alarm Events</b>	<ul style="list-style-type: none"> <li>● File upload via FTP or email, SD card</li> <li>● File upload via Samba to NAS</li> <li>● Notification via email, HTTP, and TCP</li> <li>● External output activation</li> <li>● Audio alerting output</li> <li>● Push notification to smart phone APP(Afidus)</li> <li>● ICR On/Off</li> <li>● File save to local mSD card</li> </ul>
---------------------	--

<b>Video Buffer</b>	Pre- and post- alarm buffering
---------------------	--------------------------------

### General

<b>Power Supply</b>	DC 12V
---------------------	--------

<b>PoE</b>	IEEE 802.3af class 3
------------	----------------------

<b>Power Consumption</b>	10W with IR LED on (12VDC) <ul style="list-style-type: none"> <li>● RJ-45 10Base-T/100Base-TX</li> <li>● 12VDC (terminal block)</li> <li>● 1 alarm input and 1 output (terminal block)</li> <li>● Audio out (terminal block)</li> <li>● External MIC input (terminal block)</li> <li>● Micro SD slot</li> <li>● On-Board factory default reset button</li> </ul>
--------------------------	--

<b>Connectors</b>	
-------------------	--

<b>Indication LED</b>	Green and orange LEDs
-----------------------	-----------------------

<b>Operating Temperature</b>	-20°C to 50°C
------------------------------	---------------

<b>Operating Humidity</b>	20% ~ 80% (non-condensing)
---------------------------	----------------------------

### Viewing System

<b>OS</b>	Windows® 7, 8, 10
-----------	-------------------

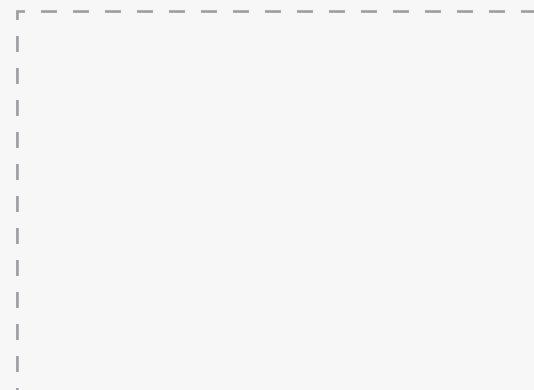
<b>Browser</b>	IE 9.0 or later, Mozilla Firefox, Chrome, Safari
----------------	--

<b>Video Player</b>	VLC, Quick Time, Real Player, Core Player
---------------------	---

### Software

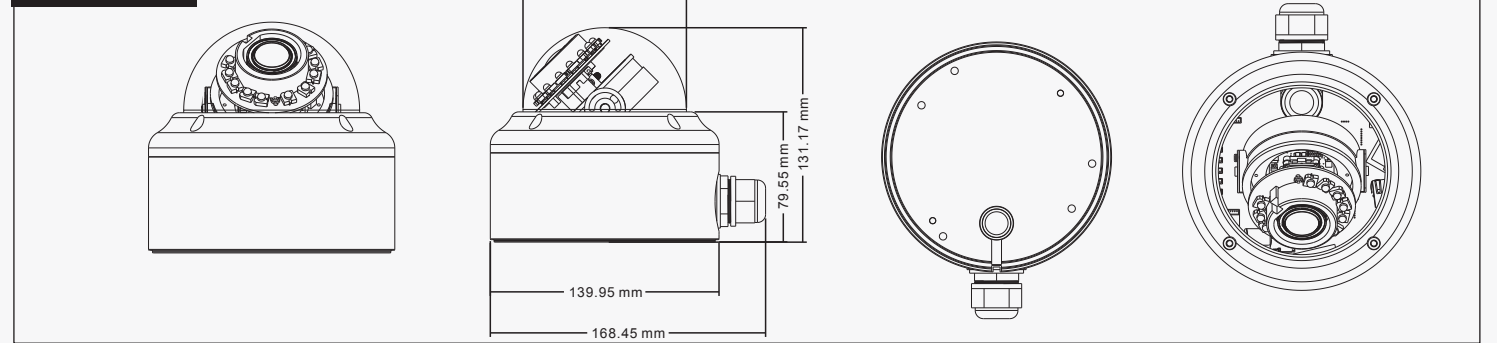
Afidus Cloud Service™, Afidus DDNS Service™, Afidus Smart Phone Apps, Afidus NVR64™

Distributed by :



※ The product design and dimensions may change without previous notice for improvement of performance.

### Dimensions



Company Name : Afidus Ltd.

Company Address : 7F-4, No. 186, Jian 1st Rd., Zhonghe Dist., New Taipei City 235, Taiwan (R.O.C)

Company Website : www.afidus.com

TEL : +886-2-8226-9857 FAX : +886-2-8226-9800